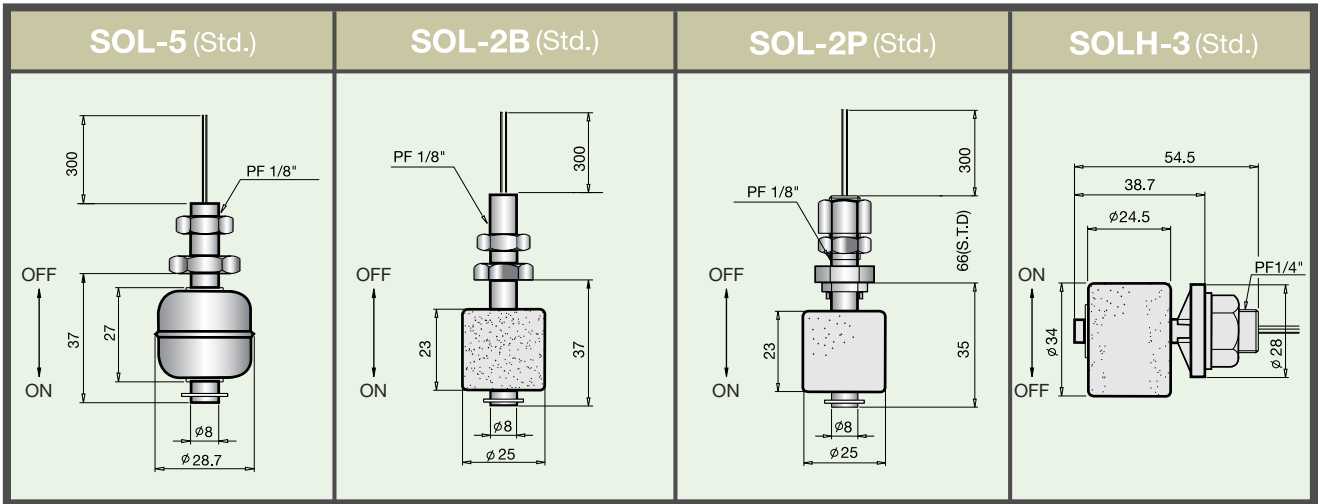


Overall Dimensions



Ordering Informations

MINI FLOAT TYPE LEVEL SWITCH

SOL - 1 A 1 A 1 A 1

HOUSING

- 1= None (Std.)
- 2= ABS Head
- 3= Thermocouple Head(Max.3 point)
- 4= ADC Head(NEMA 4)

MEASURING PART LENGTH

- A = 0 ~ 57mm (Std.)
- B = 0 ~ 100mm
- C = 0 ~ 200mm
- D = 0 ~ 300mm
- E = 0 ~ 1000mm (Max.)

MOUNTING SIZE

- 1 = PF 1/8" None Housing (Std.)
- 2 = PF 1/4" None Housing
- 3 = PT 3/4"
- 4 = PT 1"
- OP= etc.

WET PART MATERIAL

- A = 304SS (Std.)
- B = 316SS
- C = Brass / Nickel plated
- D = P.P

FLOAT MATERIAL

- 1 = 316SS (Std.)
- 2 = NBR (Poly-urethane)
- 3 = P.P

NUMBER OF FLOAT

- A = 1 EA (316SS Std.)
- B = 2 EA (Min. Length 80mm)
- C = 3 EA (Min. Length 120mm)
- D = 4 EA (Min. Length 160mm)

FUNCTION

- 1 = 1 Point (Std.)
- 2 = 2 Point
- 3 = 3 Point
- 4 = 4 Point

■ When order, give us information on exact locations of relay point.

■ Level Controller

Description	Type	Multi-Wire	2 - Wire
Sensor(Output Voltage)		12V DC	15V DC 24V DC
Contact Rating		250V AC, 5A	
Power Supply		110or220V AC \pm 10%,50/60Hz	110/220V AC \pm 10%, 50/60Hz
Ambient Temperature		-10 ~ +60 °C	
Control Output		SLC-100U : Control	SLCA-HL-2W : Bz,L/AL,Control, H/AL SLA-4P-Q : LL,L,H,HH (Bz,C1,C2,H/AL)
Fuse Rating		N/A	250V AC, 0.1A
Material		Base Plate: ABS + Glass Cover : ABS	Unburnable ABS
Mounting Method		Rack / Wall Mount	Wall Mount
Dimensions(mm)		49(W) x 60(H) x 69(D)	87(W) x 156(H) x 68.2(D)

Ordering Informations

■FLOAT TYPE LEVEL SWITCH

S T - 1 S A 1 A 1 A 1 A 1

CONDUIT CONNECTION

- 1 = PF 3/4" (Std.)
- 2 = PT 3/4"
- 3 = PF 1/2"(Ex/ADC-Std.)
- 4 = PT 1/2"
- OP= etc.

ENCLOSURE

- A = Weather Proof (ABS - Std.)
- B = Weather Proof (ADC)
- C = Explosion Proof (Ex d IIC T6, IP65)

OPERATING TEMPERATURE

- 1 = -10 ~ + 60 °C(Std.)
- 2 = -10 ~ +100 °C (Max.)

MOUNTING SIZE

- A = JIS 10K 80A 6t FF Flange (Std.)
- B = JIS 10K 100A 6t FF Flange (Std.)
- C = PT 2"
- D = JIS 10K 80A FF Flange
- E = JIS 10K 100A FF Flange
- OP= etc.

MEASURING LENGTH

- 1 = 0 ~ 1M
- 2 = 0 ~ 2M
- 3 = 0 ~ 3M
- 4 = 0 ~ 4M
- 5 = 0 ~ 5M (4.9M Max.)
- (PVC:0~3.9M Max.)

WET PART MATERIAL

- A = 304SS (Std.)
- B = 316SS
- C = PVC
- D = PTFE

TYPE OF WIRE CONNECTION

- 1 = Multi - Wire (Std.)
- 2 = 2 Wire

NUMBER OF FLOAT

- A = 1 EA (Std.) (Min. Length 80 mm)
- B = 2 EA (Min. Length 170 mm)
- C = 3 EA (Min. Length 250 mm)
- D = 4 EA (Min. Length 330 mm)
- E = 5 EA (Min. Length 410 mm)

NUMBER OF POINT (1M)

- 1S = 1 point
- 2S = 2 point
- 3S = 3 point
- 4S = 4 point
- 5S = 5 point

■ FLOAT TYPE LEVEL TRANSMITTER

ST-600 A 1 A 1 A 1 A

CONDUIT CONNECTION

A = PF 3/4" (Std.)
 B = PT 3/4"
 C = PF 1/2"(Ex/ADC-Std.)
 D = PT 1/2"
 OP = etc.

ENCLOSURE

1 = Weather Proof (ABS-Std.)
 2 = Weather Proof (ADC)
 3 = Explosion Proof (Ex d IIC T6, IP65)

SPECIFIC GRAVITY OF LIQUID

A = ϕ 79 (More than 0.85 Std.) : 304SS or 316SS
 B = ϕ 102 (0.6 ~ 0.84) : 316SS
 C = ϕ 95 (Less than 0.59) : 316SS
 D = ϕ 52 (0.65) : 316SS
 E = ϕ 75 (0.5) : PVC
 F = ϕ 50 (0.65) : PVC
 G = ϕ 78.5(0.75) : PTFE

MEASURING RANGE

1 = 0 ~ 1M
 2 = 0 ~ 2M
 3 = 0 ~ 3M
 4 = 0 ~ 4M
 5 = 0 ~ 5M
 6 = 0 ~ 5.9M (Max.)

OPERATING TEMPERATURE

A = -10 ~ + 60 °C (Std.)
 B = -10 ~ +150 °C (Max.)

MOUNTING SIZE

1 = JIS 10K 80A 6t FF Flange (Std.)
 2 = JIS 10K 100A 6t FF Flange (Std.)
 3 = JIS 10K 80A FF Flange
 4 = JIS 10K 100A FF Flange
 5 = PT 2" Socket
 OP = etc.

WET PART MATERIAL

A = 304SS (Std.)
 B = 316SS
 C = PVC
 D = PTFE

■ When placing an order, selected ordering number should be indicated on the purchase order sheet.



■ QUICK FLOAT TYPE LEVEL SWITCH

SQ H 1 A 1 A 1 A 1

CONDUIT CONNECTION

- 1 = PF 1/2" (Std.)
- 2 = PT 1/2"
- 3 = PF 3/4"
- 4 = PT 3/4"
- OP = etc.

MATERIAL OF WEIGHT

- A = PVC Std. (ø 60x110H)
- B = SUS304 (ø 60x 80H)
- C = SUS316 (ø 60x 80H)
- OP = etc.

MEASURING CABLE LENGTH

- 1 = 0 ~ 5M(Std.)
- 2 = Cable Extension(SPST per 1M)
- 3 = Cable Extension(SPDT per 1M)
- OP = etc.

MOUNTING SIZE (Include Eye-Bolt & Rope)

- A = PF 2" ABS Socket Type (Std.)
- B = PF 2" ABS with JIS 10K 80A FF HDPE Flange
- C = PF 2" ABS with JIS 10K 80A FF PVC Flange
- D = PF 2" ABS with JIS 10K 100A FF HDPE Flange
- E = PF 2" ABS with JIS 10K 100A FF PVC Fange
- OP = etc.(ADC Head or Other Flange)
- ※ ADC Head (Only Mult-wire)

TYPE OF WIRE CONNECTION

- 1 = Multi Wire (Std.)
- 2 = 2-Wire

OUTPUT

- A = Normal Open A Contact (Std.)
- B = Normal Close B Contact
- C = Normal Open & Close

NUMBER OF FLOAT

- 1 = 1 Points
- 2 = 2 Points
- 3 = 3 Points
- 4 = 4 Points
- 5 = 5 Points

TYPE OF SWITCH

- M = Reed Switch Type, 2" Float
- H = Micro Switch Type, 3" Float
- C = Mercury Switch Type, 3" Float
- E = Mercury Switch Type, 3" 316SS Float (A or B Contact)

■ When placing an order, selected ordering number should be indicated on the purchase order sheet.



Ordering Informations

■ TILT LEVEL SWITCH

STT - S 1 A 1 A 1 A

CONDUIT CONNECTION

A = None.
B = PF 1/2"
C = PT 1/2"
D = PF 3/4"
OP = etc.

ACCESSORY (Clip, Eye-Bolt, U-Bolt, Wire)

1 = None (Std.)
2 = Ass'y (5m)
3 = Ass'y (10m)

HOUSING

A = None (Std.)
B = ABS-Head Weather Proof

MOUNTING SIZE

1 = None (Std.)
2 = PF 2" ABS Head
3 = JIS 10K 80 A FF HDPE Flange
4 = JIS 10K 100A FF HDPE Flange
5 = JIS 10K 80A 6T 304SS FF Flange
6 = JIS 10K 100A 6T 304SS FF Flange
OP = etc.

MEASURING PARTS LENGTH (Cable)

A = 0 ~ 5 M (Std.)
B = 0 ~ 10M
OP = etc.

DETECTION PARTS MATERIAL

1 = 304SS
2 = 316SS

TYPE OF PADDLE

S = Wear Pipe (Std.)
X = Cross Paddle 304SS
T = Flat Paddle 304SS
P = Float 304SS

■ When placing an order, selected ordering number should be indicated on the purchase order sheet.

Printed by KOART. 2010. 04 99-CG-005. Rev: 4



SEOJIN INSTECH CO., LTD.

#91-18 Gunja-dong, Gwangjin-gu, Seoul, Korea
Tel: 82-2-2204-8500 Fax: 82-2-466-6445
<http://www.seojin.biz>

■ Specifications subject to change without notice.

Ordering Informations

■ LIQUID FLOW SWITCH

SF - 3 A 1 A

TYPE OF PADDLE

A = 3/4", 1" (in case PT 3/4" Std.)
 B = 1", 2", 3" (in case PT 1" Std.)
 C = 1", 2", 3", 4", 5", 6" (in case PT 1" Only)

MOUNTING SIZE

1 = PT 3/4" (Std.)
 2 = PT 1" (Std.)
 OP = etc.

WET PART MATERIAL (Tee or welding socket thread)

A = MBsBE2 & 304SS (Std.)
 B = 304SS

ENCLOSURE (Housing)

3 = Standard type (ABS Resin)
 4 = Weather proof (ADC)

- When placing an order, selected ordering number should be indicated on the purchase order sheet.

For custom vane models, please supply the following information: pipe size, flow direction, mounting, pressure, temperature, specific gravity and flow rates.

Printed by KOART. 2010. 04 98-CG-004. Rev: 7



SEOJIN INSTECH CO., LTD.

#91-18 Gunja-dong, Gwangjin-gu, Seoul, Korea
 Tel: 82-2-2204-8500 Fax: 82-2-466-6445
<http://www.seojin.biz>

- Specifications subject to change without notice.

■ UNIFICATION FLOAT TYPE LEVEL SWITCH

SFS -	2S	A	1	A	1
-------	----	---	---	---	---

CONDUIT CONNECTION

- 1 = PF 3/4"(Std.)
- 2 = PT 3/4"
- 3 = PF 1/2"
- 4 = PT 1/2"
- OP = etc.

MOUNTING SIZE

- A = PF 3/4"
- B = JIS 5K 50A 2t Special Flange (Std.)
- OP = etc.

MEASURING RANGE

- 1 = Min. 250 ~ 1,000 mm (Std.)
- 2 = 1001 ~ Max. 2,000 mm
- OP = etc.

WET PARTS MATERIAL

- A = 304SS + NBR
- B = 316SS + NBR

TYPE OF SWITCH

2S = Standard type. Poly-Phenole & Poly-carbonate Housing. Atm' Only (IP64)
(1 'C' SPDT. H/L Control. 250V 10A)

■ When placing an order, selected ordering number should be indicated on the purchase order sheet.

Rod Length	Operating Differential	Mounting Attitude from Vertical
250mm to 500mm	60mm to 350mm	Up to 10 degrees
501mm to 1000mm	60mm to 850mm	Up to 5 degrees
1001mm to 1500mm	60mm to 1350mm	Up to 2 degrees



■ GEAR TYPE LIQUID LEVEL TRANSMITTER

SGL - 3 A 1 A 1 A

CONDUIT CONNECTION

- A = PF 1/2" (Std.)
- B = PT 1/2"
- C = PF 3/4"
- D = PT 3/4"
- OP = etc.

TYPE OF FLOAT

- 1 = Vertical Type to insert into 3" Pipe
- 2 = Vertical Type to insert into 2" Pipe
- 3 = O.D 10" Horizontal Pipe

MOUNTING SIZE

- A = JIS 10K 80A 6T FF Flange (Std.)
- B = JIS 10K 100A 6T FF Flange (Std.)
- C = JIS 10K 80A FF Flange
- D = JIS 10K 100A FF Flange
- E = 2" PT Special Socket
- OP = etc.

MEASURING PART LENGTH

- | | |
|--------------------|---------------------|
| 1 = 0 ~ 1 M | 6 = 0 ~ 6 M |
| 2 = 0 ~ 2 M | 7 = 0 ~ 7 M |
| 3 = 0 ~ 3 M | 8 = 0 ~ 8 M |
| 4 = 0 ~ 4 M | 9 = 0 ~ 9 M |
| 5 = 0 ~ 5 M (Std.) | 10 = 0 ~ 10M (Max.) |

WET PART MATERIAL (FLOAT, WIRE, FLANGE)

- A = 304SS
- B = 316SS

OUTPUT

- 1 = Local Indication only
- 2 = 4~20mA DC Output (Non local indication)
- 3 = Local Indication & 4~20 mA DC Output

■ When placing an order, selected ordering number should be indicated on the purchase order sheet.



Ordering Informations

■ ELECTRODE TYPE LEVEL SWITCH

SH- 5 B 1 A 2 A 1

HEAD

3 = ABS Plastic 3 Hole
5 = ABS Plastic 5 Hole
OP = etc.

TYPE OF WIRE CONNECTION

A = Multi Wire
B = 2 -Wire(SH-5S)

HEAD TYPE

1 = ABS Standard Holder
2 = ADC Special Holder

※ ADC Head(Only Multi wire)

CONDUIT CONNECTION

A = PF 1/2" (Std.)
B = PT 1/2"
C = PF 3/4"
D = PT 3/4"
OP = etc.

ELECTRODE CONNECTORS

1 = None
2 = Brass/ Ni plated
3 = 304SS
4 = 316SS

WET PART MATERIAL

A = 304SS P.E Tubing 2M (Std.)
B = 316SS P.E Tubing 2M
C = 304SS P.T.F.E Tubing 2M
D = 316SS P.T.F.E Tubing 2M
E = Wire Electrode P.T.F.E 3.5 SQ (With Weight)
OP = etc.

MOUNTING SIZE

1 = PF 2" ABS (Std.)
2 = PF 2" ABS with JIS 10K 80A FF HDPE Flange
3 = PF 2" ABS with JIS 10K 80A FF PVC Flange
4 = PF 2" ABS with JIS 10K 100A FF HDPE Flange
5 = PF 2" ABS with JIS 10K 100A FF PVC Flange
OP = etc.

■ SPECIAL ASS'Y MODEL (Overflow Detector)

SH-IS A 1 A 1 A

OPERATING TEMP' & PRESSURE

A = Max. 60℃ / Max. 2 kgf/cm²
B = Max. 80℃ / Max. 10 kgf/cm²
C = Max. 260℃ / Max. 50 kgf/cm²
D = Max. 560℃ / Max. 300 kgf/cm²

MOUNTING SIZE

1 = PF 1" (Std.)
OP = etc.

CONDUIT CONNECTION

A = PF 1/2" (Std.)
B = PT 1/2"
C = PF 3/4"
D = PT 3/4"
OP = etc.

ENCLOSURE

1 = Weather Proof (ADC-12)
2 = Explosion Proof (ADC-12, Ex d IIB T4)

INSERTION LENGTH

A = 50~200mm (Operating Temp & Pressure A, B, C Type)
B = 200~500mm (Operating Temp & Pressure A, B Type)
C = 27.4mm (Operating Temp & Pressure D Type Only)

- Special Ass'y Model : SH-1 (Applicable to Over flow Detection Type)
Wet Part Material : 304SS & UHMW-PE (Min. 50mm)

Printed by KOART. 2010. 04 98-CG-009. Rev:5



SEOJIN INSTECH CO., LTD.

#91-18 Gunja-dong, Gwangjin-gu, Seoul, Korea
Tel: 82-2-2204-8500 Fax: 82-2-466-6445
http://www.seojin.biz

■ Specifications subject to change without notice.

■ MINI MAGNETIC FLOAT TYPE LEVEL SWITCH (Reed Switch Type)

SFM -	11	A	1	A	1
-------	----	---	---	---	---

CONDUIT CONNECTION

- 1 = PF 3/4" (Std.)
- 2 = PT 3/4"
- 3 = PF 1/2"
- 4 = PT 1/2"
- OP = etc.

MOUNTING SIZE

- A = JIS 5K 40A Flange (SFM 11, 12, 14, 16, Std.)
- B = PT 1 1/2" (SFM - 13 Std.)
- OP = etc.

MEASURING PART LENGTH

- 1 = 150 mm : SFM - 11, 12 (Std.)
- 2 = 150 mm : SFM - 13 (Std.)
- 3 = 151~ 300 mm (Max.) : SFM - 14, 16

WET PART MATERIAL

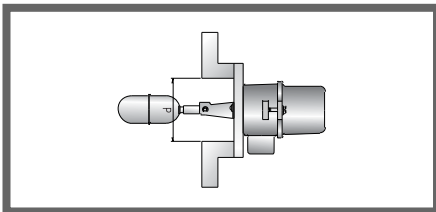
- A = 304SS (Std.)
- B = 316SS

FUNCTION

- 11 = 1 SPST (Std.)
- 12 = 1 SPDT (Std.)
- 13 = 1 SPST (Std.)
- 14 = 1 SPST Extension type (Max. 300 mm)
- 16 = 1 SPST Boundary detection type (Max. 300mm)

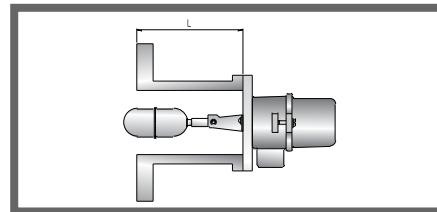
Table for Chamber Selection

Float opening



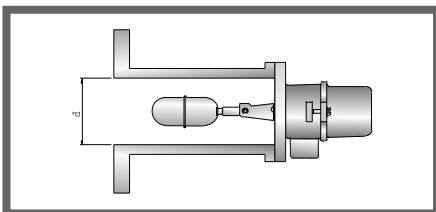
Float (Min. I. D.)
 SFM - 11, 12, 13, 16 : 41mm
 SFM - 14 : 44mm

Nozzle Length



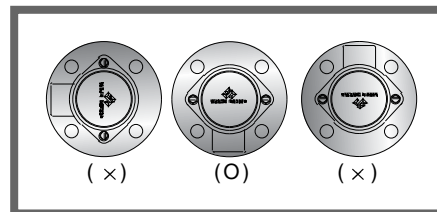
From float to tank (Max. Distance)
 SFM - 11, 12, 13, 16 : 160 mm
 SFM - 14 : 60 mm + "A"
 ("A" Value means a distance of extended part)

Pipe Opening



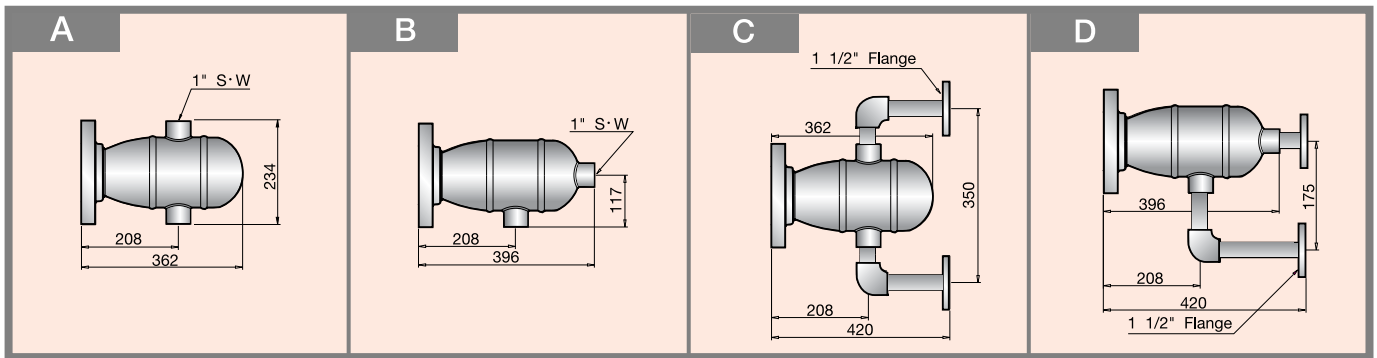
Pipe (Min. I. D.)
 SFM - 11, 13, 14 : 120mm
 SFM - 12, 16 : 130mm

Orientation



Opening for electrical conduit should face down.

Table for Chamber Selection



Ordering Informations

HORIZONTAL MINI MAGNET TYPE FLOAT LEVEL SWITCH

SHM-100 A 1 A 1 A 1

CHAMBER

SHM-100 CH A 1 ####

CONDUIT CONNECTION

- 1 = PF 3/4" (Std.)
- 2 = PT 3/4"
- 3 = PF 1/2"
- 4 = PT 1/2"
- OP = etc.

ENCLOSURE

- A = Weather proof (Std.)
- B = Explosion proof (Ex d IIB T6, IP65)

MEASURING PART LENGTH

- 1 = 200 mm (Std.)
- 2 = 201~300 mm
- 3 = 301~400 mm (Max.)

MOUNTING SIZE

- A = JIS 5K 65A Flange (Std.)
- OP = etc.

PROCESS TEMPERATURE

- 1 = -20 ~ +120°C (Std.)
- 2 = -20 ~ +230°C

WET PART MATERIAL

- A = 304SS (Std.)
- B = 316SS

CHAMBER SCH# (Pressure Rate)

CHAMBER PARTS MATERIAL

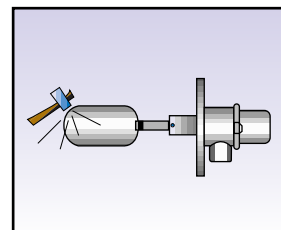
- 1 = Carbon Steel (A105)
- 2 = 304SS
- 3 = 316SS
- OP = etc.

TYPE OF CHAMBER

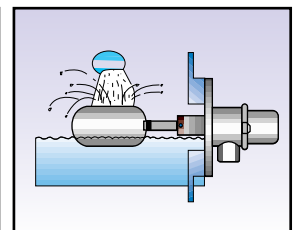
- A = Top Bottom (S.WELD type)
- B = Side Bottom (S.WELD type)
- C = Side Side (1) (Flange type)
- D = Side Side (2) (Flange type)
- OP = etc.

Precaution

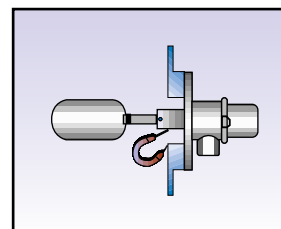
- Avoid dropping or shocking the Level Switches (Fig. 1)
- Do not install the switches near a drain outlet or a feedwater inlet to avoid malfunction due to chattering (Fig. 2)
- Installation near a strong magnetic field should be avoided to prevent malfunction (Fig. 3)
- This type of Level Switch should not be used for liquids containing iron particles or other strongly magnetic material. The Switches must be cleaned frequently if the liquid has high viscosity or contains floating material (Fig. 4)



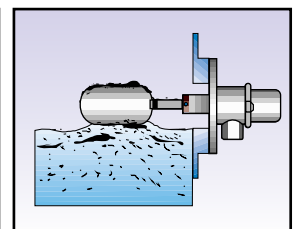
(fig. 1)



(fig. 2)



(fig. 3)



(fig. 4)

■ VERTICAL MAGNET FLOAT TYPE LEVEL SWITCH

SHM-2000	A	1	A	1	A	1
----------	---	---	---	---	---	---

CONDUIT CONNECTION

- 1 = PF 3/4" (Std.)
- 2 = PT 3/4"
- 3 = PF 1/2"
- 4 = PT 1/2"
- OP = etc.

ENCLOSURE

- A = Weather proof (C.S Cover Std.)
- B = Explosion proof (Ex d IIB T4, IP65)

OUTPUT

- 1 = 1 SPDT
- 2 = 1 DPDT

MOUNTING SIZE

- A = JIS 10K 80A FF Flange(Std.)
- B = JIS 10K 100A FF Flange
- C = ANSI 3" 150lb RF Flange
- D = ANSI 4" 150lb RF Flange
- E = JIS & ANSI 5" (Chamber type only)
- OP = etc.

PROCESS TEMPERATURE

- 1 = -25 ~ +150 °C
- 2 = -25 ~ +230 °C
- 3 = -25 ~ +350 °C

WET PART MATERIAL

- A = 304SS
- B = 316SS
- C = Carbon Steel
- OP = etc.

■ CHAMBER

SHM-2000CH	A	1	# # # #
------------	---	---	---------

CHAMBER SCH# (STD. 5"/125A)
(Pressure Rate)

CHAMBER PARTS MATERIAL

- 1 = Carbon Steel
- 2 = 304SS
- 3 = 316SS
- OP = etc.

TYPE OF CHAMBER

- A = Top Bottom (S.Weld type)
- B = Side Bottom (S.Weld type)
- C = Side Side(1) (Flange type)
- C = Side Side(2) (Flange type)
- OP = etc.

■ When placing an order, selected ordering number should be indicated on the purchase order sheet.



■ DISPLACEMENT TYPE LEVEL SWITCH

SMC - 1 A 1 A 1 A

CONDUIT CONNECTION

- A = PF 3/4" (Std.)
- B = PT 3/4"
- C = PF 1/2"
- D = PT 1/2"
- OP = etc.

ENCLOSURE

- 1 = Weather proof (Std.) - C.S Cover
- 2 = Weather proof - CAL Cover
- 3 = Explosion proof (Exd IIC, IP65) -CAL Cover

MOUNTING SIZE

- A = JIS 10K 80A 304SS 6t Flange (Std.)
- B = JIS 10K 100A 304SS 6t Flange (Std.)
- C = JIS 10K 80A FF C.S Flange
- D = JIS 10K 100A FF C.S Flange
- E = JIS 10K 80A FF 304SS Flange
- F = JIS 10K 100A FF 304SS Flange
- OP = etc.

WET PART MATERIAL

- 1 = 304SS (Std.)
- 2 = 316SS
- 3 = Monel (Special Option)

OPERATING TEMP' & PRESSURE

- A = -40 ~ +120 ℃ & 10Kgf/Cm² (Std.)
- B = -40 ~ +230 ℃ & 30Kgf/Cm² (1S, 2S)
- C = -40 ~ +230 ℃ & 30Kgf/Cm² (3S)
- D = -40 ~ +230 ℃ & 30Kgf/Cm² (4S)

NUMBER OF CONTACT FOR CONTROL

- | | |
|-------------------------------------|---|
| 1 = 1 point (Alarm) | 9 = 3 point (HH/H/L/LL Alarm - SPDT) |
| 2 = 1 point (Alarm - DPDT) | 10 = 3 point (HH/H/L/LL Alarm - DPDT) |
| 3 = 2 point (Alarm) | 11 = 4 point (H/L Alarm & Control - SPDT) |
| 4 = 2 point (Alarm - DPDT) | 12 = 4 point (H/L Alarm & Control - DPDT) |
| 5 = 2 point (Control) | 13 = 4 point (HH/H/L/LL Alarm - SPDT) |
| 6 = 2 point (Control - DPDT) | 14 = 4 point (HH/H/L/LL Alarm - DPDT) |
| 7 = 3 point (Alarm, Control) | 15 = 4 point (2 x Control - SPDT) |
| 8 = 3 point (Alarm, Control - DPDT) | 16 = 4 point (2 x Control - DPDT) |
- ※9 ~14 : only weather proof

■ CHAMBER

SMC - CH 1 A 1 #####

CHAMBER SCH #
(Pressure Rate)

TYPE OF CHAMBER

- 1 = Side Side (Flange type)
- 2 = Side Side (Socket type)
- 3 = Side Bottom (Flange type)
- 4 = Side Bottom (Socket type)
- OP = etc.

C TO C (Carbon Steel)

- A = 300mm
- B = 500mm
- C = 600mm
- D = 800mm
- E = 1,000mm
- OP = etc.

CHAMBER PARTS MATERIAL

- 1 = Carbon steel (A105)
- 2 = 304SS
- 3 = 316SS
- OP = etc.



SEOJIN INSTECH CO., LTD.

#91-18 Gunja-dong, Gwangjin-gu, Seoul, Korea
Tel: 82-2-2204-8500 Fax: 82-2-466-6445
http://www.seojin.biz

SMC-73B

4" Bottle Seal Type

Ordering Information

Vertical Float Type Level Switch (4" Bottle Seal Type - Max. Pressure : 46Bar)

SMC - 73 B 1 A 1 A 1 A 1 A 1 A

MODEL SELECTION

B = 4" Bottle Seal Type
(Max. Temp : 400°C,
Max. Press : 46 Bar)

CHAMBER MATERIAL

1 = Carbon Steel(Std.)
2 = 304 SS
3 = 316 SS

FLOAT MATERIAL

A = 316 SS(Std.)

PROCESS CONNECTION TYPE

1 = Side-Bottom(Socket Welding)(Std.)
2 = Side-Side(Socket Welding)
3 = Side-Side(Elbow Type, Socket Welding)
4 = Side-Side(Tee Type, Socket Welding)

PROCESS CONNECTION SIZE

A = 1" S.W(Std.)
B = 3/4" S.W

PAINTING

A = MFR Std.(SEOJIN Spec.)
OP = etc.(Customer Requirements)

DRAIN PARTS

1 = NONE
OP = etc.

CONDUIT CONNECTION

A = PF 3/4"(Std.)
B = PT 3/4"
OP = etc.

ENCLOSURE

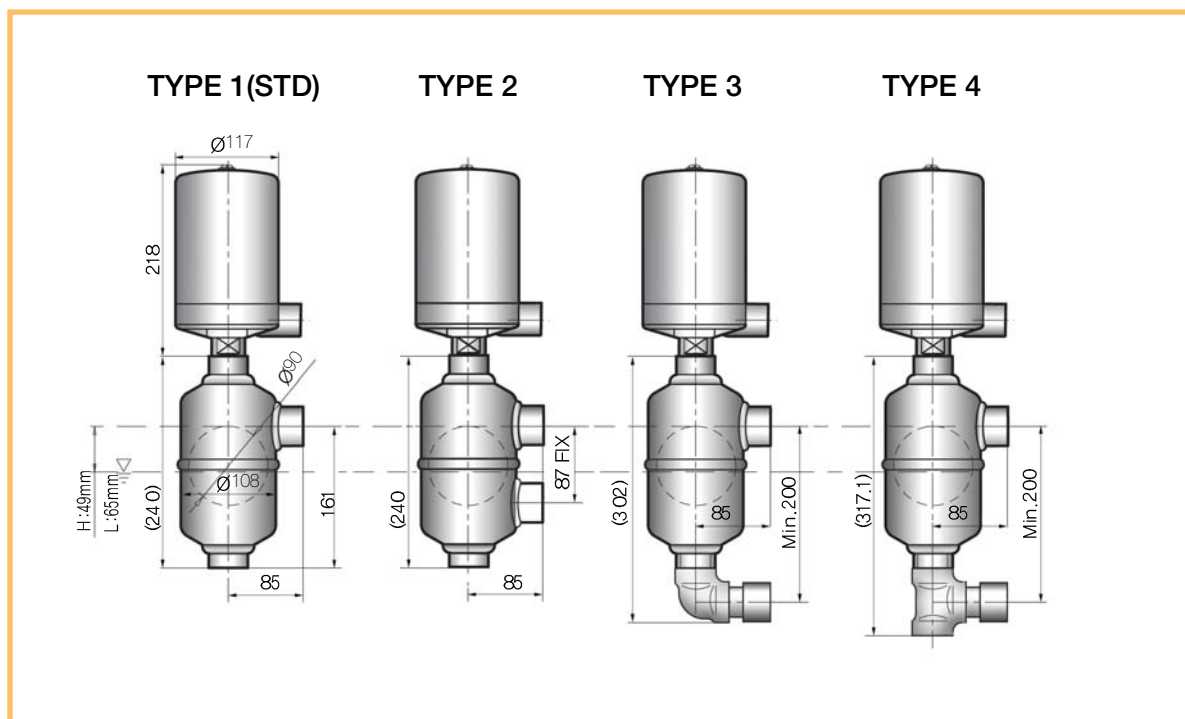
1 = Weather Proof (Std., IP65, C.S Cover)
2 = Explosion Proof (Ex d IIC T6, IP65)

PROCESS TEMP'(CONTACT RATING)

A = Max.120°C(10A 250V AC / 0.6A 125V DC)
B = Max.230°C(5A 250V AC / 0.5A 125V DC)
C = Max.400°C(1A 250V AC / 1A 30V DC)
D = Max.230°C(15A 250V AC / 1A 125V DC)
E = Max.400°C(1A 115V AC / 3A 28V DC)
(Hermetical Seal Type)

SNAP SWITCH ACTION (OUTPUT)

1 = 1 SPDT
2 = 1 DPDT (2 SPDT)



■ C to C of SMC-73B is fixed like the above length.

SMC-75B

5" Bottle Seal Type

Ordering Informations

■ Vertical Float Type Level Switch (5" Bottle Seal Type - Max. Pressure : 70Bar)

SMC - 75 B 1 A 1 A 1 A 1 A 1 A

MODEL SELECTION

B = 5" Bottle Seal Type
(Max. Temp : 400 °C,
Max. Press : 70 Bar)

CHAMBER MATERIAL

1 = Carbon Steel(Std.)
2 = 304 SS
3 = 316 SS
OP = etc.

FLOAT MATERIAL

A = 316 SS(Std.)
B = MONEL

PROCESS CONNECTION TYPE

1 = Side-Bottom(Socket Welding)(Std.)
2 = Side-Side(Socket Welding)
3 = Side-Side(Elbow Type, Socket Welding)
4 = Side-Side(Tee Type, Socket Welding)

PROCESS CONNECTION SIZE

A = 1" S.W (Std.)
B = 3/4" S.W

PAINTING

A = MFR Std.(SEOJIN Spec.)
OP = etc.(Customer Requirements)

DRAIN PARTS

1 = NONE
OP = etc.

CONDUIT CONNECTION

A = PF 3/4"(Std.)
B = PT 3/4"
OP = etc.

ENCLOSURE

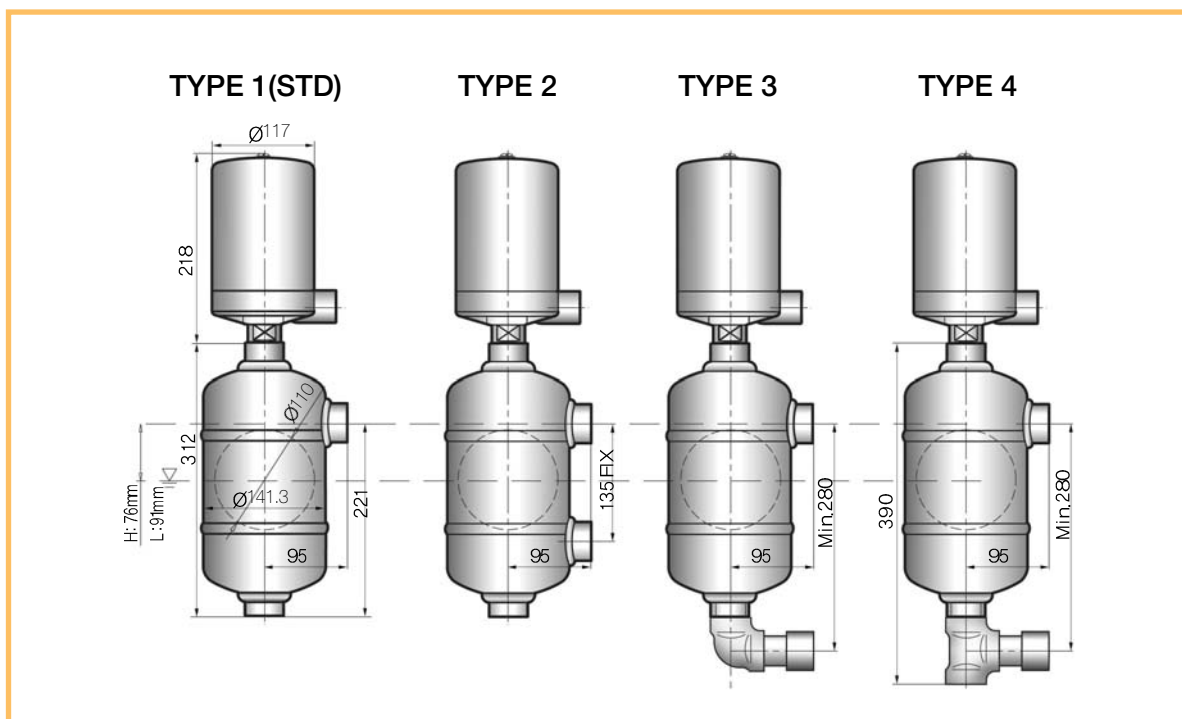
1 = Weather Proof (STD, IP65, C.S Cover)
2 = Explosion Proof (Ex d IIC T6, IP65)

PROCESS TEMP'(CONTACT RATING)

A = Max.120°C(10A 250V AC / 0.6A 125V DC)
B = Max.230°C(5A 250V AC / 0.5A 125V DC)
C = Max.400°C(1A 250V AC / 1A 30V DC)
D = Max.230°C(15A 250V AC / 1A 125V DC)
E = Max.400°C(1A 115V AC / 3A 28V DC)
(Hermetical Seal Type)

SNAP SWITCH ACTION (OUTPUT)

1 = 1 SPDT
2 = 1 DPDT (2 SPDT)



■ C to C of SMC-75B is fixed like the above length.

SMC-75F

5" Flange Type

Ordering Informations

Vertical Float Type Level Switch (5" Flange Type)

SMC - 75 F 1 A 1 A 1 A 1

CONDUIT CONNECTION

- 1 = PF 3/4"(Std.)
- 2 = PT 3/4"
- OP = etc.

ENCLOSURE

- A = Weather Proof (Std., IP65, C.S Cover)
- B = Explosion Proof (Ex d IIC T6, IP65)

PROCESS TEMP'(CONTACT RATING)

- 1 = Max.120 °C (10A 250V AC / 0.6A 125V DC)
 - 2 = Max.230 °C (5A 250V AC / 0.5A 125V DC)
 - 3 = Max.400 °C (1A 250V AC / 1A 30V DC)
 - 4 = Max.230 °C (15A 250V AC / 1A 125V DC)
 - 5 = Max.400 °C (1A 115V AC / 3A 28V DC)
- (Hermetical Seal Type)

SNAP SWITCH ACTION (OUTPUT)

- A = 1 SPDT
- B = 1 DPDT

SETPOINT

- 1 = 180mm (Std., External Cage of SEOJIN INSTECH)
- 2 = 150 ~ 300mm (Tank Top Mounting Length = Min. 150mm)

MOUNTING TYPE

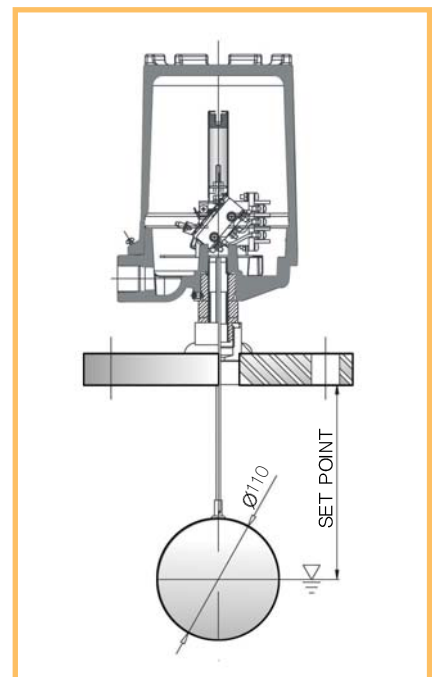
- A = 5" 150# ANSI RF Flange(Std.)
- B = 5" 300# ANSI RF Flange
- C = 5" 600# ANSI RF Flange
- D = 5" 900# ANSI RF Flange
- E = 5" 1500# ANSI RF Flange
- OP = etc.

FLOAT MATERIAL

- 1 = 316 SS(Std.)
- 2 = MONEL

MODEL SELECTION

- F = 5" Bottle Flange Type
- (Max. Temp:400 °C, Max. Press:70 Bar)



SMC-75CH

Chamber

Ordering Informations

Vertical Float Type Level Switch (Chamber)

SMC - 75CH A 1 A 1 A 1 A 1 A

TYPE OF CHAMBER

- A = Side-Side(Socket Welding Type)
- B = Side-Bottom(Socket Welding Type)
- C = Side-Side(Flange Type)
- D = Side-Bottom(Flange Type)
- OP = etc.

CHAMBER MATERIAL

- 1 = Carbon Steel(Std.)
- 2 = 304 SS
- 3 = 316 SS
- 4 = Carbon Steel with Tefron Coating
- OP = etc.

PROCESS CONNECTION TYPE

- A = Socket Welding Type(Std.)
- B = Flange Type

PROCESS CONNECTION SIZE

- 1 = 1" (Std.)
- 2 = 3/4"
- 3 = 1-1/2"
- 4 = 2"
- OP = etc.

TEST FOR WELDING

- A = Hydro Test Only
- B = PT Test + Hydro Test
- OP = etc.

PAINTING

- 1 = MFR Std.(SEOJIN Spec.)
- OP = etc.(Customer Requirements)

DRAIN PARTS (Side-Side Type Only)

- A = PT 1/2" With Plug(Std.)
- B = PT 1/2" With Glove Valve
- C = None
- OP = etc.

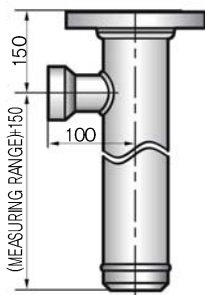
LENGTH (C TO C)

- 1 = 0 ~ 500mm
- 2 = 0 ~ 1,000mm
- 3 = 0 ~ 1,500mm
- 4 = 0 ~ 2,000mm
- OP = etc.

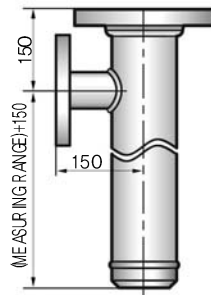
TOP MOUNTING SIZE

- A = 5" 150# ANSI RF Flange(Std.)
- B = 5" 300# ANSI RF Flange
- C = 5" 600# ANSI RF Flange
- D = 5" 900# ANSI RF Flange
- E = 5" 1500# ANSI RF Flange
- OP = etc.

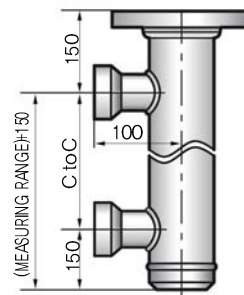
SIDE-BOTTOM (SW)



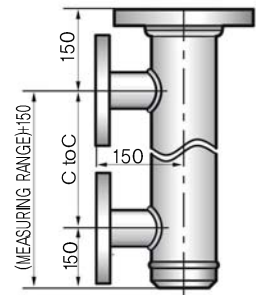
SIDE-BOTTOM (FLANGE)



SIDE-SIDE (SW)



SIDE-SIDE (FLANGE)



Switch Assembly

Snap Acting Switch Assembly

Type (Model)	SM1S	SM1D	SM3S	SM3D	SM4S	SM4D
Action	SPDT / DPDT		SPDT / DPDT		SPDT / DPDT	
Operating Temperature Range	-25~80℃		-54~204℃		-65~260℃	
Voltage & Current	250V AC 10A		250V AC 15A		115V AC 1A	
	125V DC 0.6A		125V DC 1A		28V DC 3A	
Remark					Hermetical Seal	

Ordering Informations

■ Floor Level Switch to Detect Leaks or Spills

SMC 71 A 1 A 1 A 1

WETPART MATERIAL

A = Carbon Steel
B = 316SS
OP = etc.

FLOAT MATERIAL

1 = 316SS
OP = etc.

SNAP ACTION SWITCH (OUTPUT)

A = 1 SPDT
B = 1 DPDT

PAINTING

1 = MFR Std.(SEOJIN Spec.)
OP = etc.

CONDUIT CONNECTION

A = PF 3/4"(Std.)
B = PF 1"
OP = etc.

OPERATING TEMP' (CONTACT RATING)

1 = -25 ~ 80℃(10A 250V AC / 0.6A 125V DC)
2 = -54 ~ 204℃(15A 250V AC / 1A 125V DC)
3 = -65 ~ 260℃(1A 115V AC / 3A 28V DC)
(Hermetical Seal Type)

Printed by KOART. 2010. 04 98-CG-006-1. Rev:0



SEOJIN INSTECH CO., LTD.

#91-18 Gunja-dong, Gwangjin-gu, Seoul, Korea
Tel: 82-2-2204-8500 Fax: 82-2-466-6445
<http://www.seojin.biz>

■ Specifications subject to change without notice.

■ Torque Tube, Displacement Type Level Transmitter Chamber

SDT-420 CH A 1 A 1 A 1 A 1 A 1

TYPE OF CHAMBER

A = Side-Side
 B = Side-Bottom
 C = Top-Bottom
 OP = etc.

CHAMBER MATERIAL

1 = Carbon Steel(Std.)
 2 = 304 SS
 3 = 316 SS
 OP = etc.

PROCESS CONNECTION TYPE

A = Socket Welding Type
 B = Flange Type
 OP = etc.

PROCESS CONNECTION SIZE

1 = 2"(Std.)
 2 = 1-1/2"
 3 = 1"
 OP = etc.

TOP MOUNTING SIZE

A = 3" ANSI RF(Std.)
 B = 3" ANSI RJF
 C = 4" ANSI RF
 D = 4" ANSI RJF

TEST FOR WELDING

1 = Hydro Test Only
 2 = PT Test + Hydro Test
 OP = etc.(Customer Requirements)

PAINTING

A = MFR Std.(SEOJIN Spec.)
 OP = etc.(Customer Requirements)

DRAIN PARTS (Side-Side Type Only)

1 = PT 1/2" With Plug(Std.)
 2 = PT 1/2" With Globe Valve
 OP = etc.

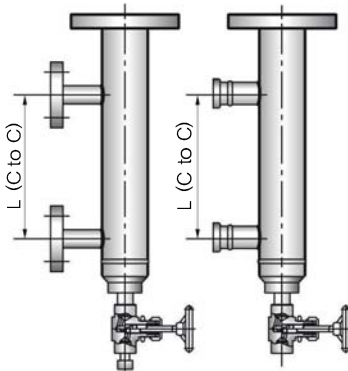
LENGTH (C to C)

A = 300 ~ 350mm
 B = 351 ~ 500mm
 C = 501 ~ 750mm
 D = 751 ~ 1,200mm
 E = 1,201 ~ 2,000mm
 F = 2,001 ~ 3,000mm
 G = 3,001 ~ 4,000mm
 H = 4,001 ~ 5,000mm

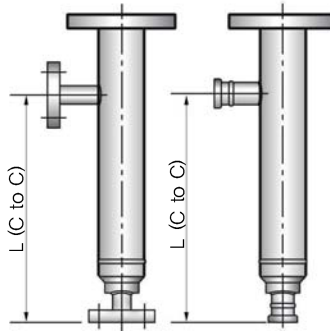
PRESSURE RATING

1 = 150#
 2 = 300#
 3 = 600#
 4 = 900#
 OP = etc.

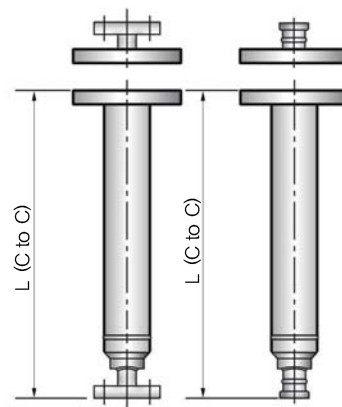
TYPE "A" (SIDE-SIDE)



TYPE "B" (SIDE-BOTTOM)



TYPE "C" (TOP-BOTTOM)



■ Torque Tube, Displacement Type Level Transmitter

SDT-420 31 A 1 A 1 A 1 A 1 A

TAGGING METHOD

A = 304SS Tag Fixed On Amplifier
B = 304SS Tag Fixed With Wire

CONDUIT CONNECTION

1 = PF 1/2"(Without Cable Gland)
2 = PT 1/2"(With Cable Gland)
3 = NPT 1/2"(With Cable Gland)
OP = etc.

MOUNTING DIRECTION

A = Righthand Mounted(Std.)
B = Lefthand Mounted

ELECTRICAL CLASSIFICATION(ENCLOSURE)

1 = Weather Proof (IP65)
2 = Explosion Proof (Ex d IIC T6/IP65 : KOSHA)
3 = Intrinsic Safety (Ex ia IIC T4/IP65 : KTL)

TORQUE TUBE MATERIAL

A = 316 SS(Std.)
B = INCONEL 600
OP = etc.

MEASURING PARTS LENGTH(C TO C)¹⁾

1 = 300 ~ 350mm
2 = 351 ~ 500mm
3 = 501 ~ 750mm
4 = 751 ~ 1,200mm
5 = 1,201 ~ 2,000mm
6 = 2,001 ~ 3,000mm
7 = 3,001 ~ 4,000mm
8 = 4,001 ~ 5,000mm

DISPLACER MATERIAL

A = 316L(Std.)
B = PTFE
C = etc.

TORSION BAR GUARD MATERIAL

1 = Carbon Steel (Std.)
2 = 316LSS
OP = etc.

TORSION BAR GUARD CONTACT FACE

A = RF Raised Face Flange(available with 31, 33, 36, 41, 43, 46, 49)
B = RJF Ring Joint Flange(available with 33, 36, 39, 43, 46, 49)
OP = etc.

TORSION BAR GUARD MOUNTING SIZE(Flange Size & Rating)

31 = 3" 150# ANSI (Std.)
33 = 3" 300# ANSI
36 = 3" 600# ANSI
39 = 3" 900# ANSI
41 = 4" 150# ANSI
43 = 4" 300# ANSI
46 = 4" 600# ANSI
49 = 4" 900# ANSI
OP = etc.

NOTE : 1) Displacer length is measuring parts length + 30mm



Ordering Informations

■ PNEUMATIC TYPE LEVEL SWITCH

SFP - 1A A 1 A 1

CONDUIT CONNECTION

1 = PF 1/2" (Std.)
 2 = PT 1/2"
 3 = PF 3/4"
 4 = PT 3/4"
 OP= etc.

ENCLOSURE

A = Weather Proof
 B = Explosion Proof (d2 G4); 500E Type

MOUNTING SIZE

1 = PF 1"Only(Std.)
 OP = etc.

MEASURING CHAMBER MATERIAL & LENGTH

A = None(Std.)
 B = 304SS 1" Pipe PT 1/2" (Std. Per 1,000mm)
 C = PVC 1" Pipe PT 1/2"(Per 1,000mm)
 OP = etc. (Special Diameter & Special Material)

TYPE OF SENSING PARTS

1A = Standard type. Atm' Only. Neoprene diaphragm. NEMA4. ADC
 1S = Fluoric rubber(Biton) diaphragm
 3 = Economic type. Non weather proof. Phenol + C.S Cover

■ When placing an order, selected ordering number should be indicated on the purchase order sheet.

Printed by KOART. 2010.04 99-CG-007. Rev: 2



SEOJIN INSTECH CO., LTD.

#91-18 Gunja-dong, Gwangjin-gu, Seoul, Korea
 Tel: 82-2-2204-8500 Fax: 82-2-466-6445
<http://www.seojin.biz>

■ Specifications subject to change without notice.

■ LEVEL PRESSURE TRANSMITTER (LOCAL INDICATE IMMERSION TYPE)

SPT - 1 A 1 A 1 A 1 A

CONDUIT CONNECTION

A = PF 1/2" (Std.)
 B = PT 1/2"
 C = PF 3/4"
 D = PT 3/4"
 OP = etc.

ENCLOSURE

1 = ADC Weather proof (Std.)

WEIGHT & SINKER

A = None (Std.)
 B = 304SS Weight only
 C = 304SS Weight & Sinker

OPERATING TEMPERATURE

1 = -20~+80 °C (Std.)

PROBE MATERIALS

A = 316SS (Std.)
 OP = etc.

MEASURING RANGE (Side Mount : Consult office)

1 = 0 ~ 5m
 2 = 0 ~ 10m
 3 = 0 ~ 15m
 4 = 0 ~ 20m
 5 = 0 ~ 25m
 6 = 0 ~ 30m

MOUNTING SIZE

A = PF 3/4" Nipple (Std.)
 B = JIS 10K 50A FF Flange (Std.)
 C = JIS 10K 65A FF Flange
 OP = etc.

MOUNTING TYPE

1 = Top (Immersion type) 0 ~ 30M
 2 = Side (Tank side type) 0 ~ 300M (30 bar) Pending

■ When placing an order, selected ordering number should be indicated on the purchase order sheet.



SEOJIN INSTECH CO., LTD.

#91-18 Gunja-dong, Gwangjin-gu, Seoul, Korea
 Tel: 82-2-2204-8500 Fax: 82-2-466-6445
<http://www.seojin.biz>

Printed by KOART. 2010. 04 99-CG-003. Rev: 5

■ Specifications subject to change without notice.

■ IMMERSION TYPE LEVEL TRANSMITTER

SPL 1 A 1 A 1 A 10

CABLE EXTENSION
()M Per 1m

CONDUIT CONNECTION

A = None. (Std.)
B = PF 3/4" (Std.)
C = PT 3/4"
D = PF 1/2"
E = PT 1/2"
OP = etc.

WEIGHT & SINKER

1 = None. (Std.)
2 = 304SS Weight only
3 = 304SS Weight & Sinker

TYPE OF WIRING

A = 2 Wire (Std.)
B = 3 Wire NOHKEN Products
OP = etc.

MEASURING LENGTH (DEPTH)

1 = 0 ~ 5M
2 = 0 ~ 10M
3 = 0 ~ 15M
4 = 0 ~ 20M
5 = 0 ~ 25M
6 = 0 ~ 30M
OP = etc.

MOUNTING SIZE & JUNCTION BOX

A = None.
B = JIS 10K 80A 6t FF Flange + ABS (Std.)
C = JIS 10K 100A 6t FF Flange + ABS (Std.)
D = JIS 10K 80A 6t FF Flange + ADC
E = JIS 10K 100A 6t FF Flange + ADC
OP = etc.

MOUNTING TYPE

1 = TOP (Immersion type) 0-30M
2 = Side (Tank side type) 0-300M(30bar) Pending

■ General cable length : Measuring range + 2m only

■ When placing an order, selected ordering number should be indicated on the purchase order sheet.



Ordering Informations

■ LIQUID TANK LEVEL GAUGE

SLT - 2200 A 1 A 1 A 1 A

CONDUIT CONNECTION

A = PF 3/4" (Std.)
 B = PT 3/4"
 C = PF 1/2"
 D = PT 1/2"
 OP= etc.

ENCLOSURE

1 = Weather proof (Std.)
 2 = Explosion proof (Ex d IIB T6)

MOUNTING METHOD

A = Side mount (Std.)
 B = Top mount

MEASURING PART LENGTH

1 = 3 M
 2 = 5 M(Std.)
 3 = 6 M
 4 = 10M
 5 = 12M
 6 = 15M
 7 = 20M(Max.)

MOUNTING SIZE

A = PT 1 1/2" Socket (Std.)
 B = NPT 1 1/2" Socket
 C = JIS 10K 40A FF 304SS Flange (7EA)
 OP= etc.

WET PART MATERIAL (Include in Float, Bottom piece, Guide wire)

1 = 304SS (Std.)
 2 = 316SS

ALARM CONTACT

A = None
 B = 2 Point
 C = 4 Point
 D = 6 Point
 E = 8 Point

OUT PUT

1100 = Local dial indicator	(NO transmitter)		
2200 = 4~20mA DC output	(Transmitter)		
3300 = 1~8 point Alarm output	(Switch)		
4400 = Alarm & 4~20mADC output	(Transmitter)		
11SP = Local dial indicator	(NO Transmitter)	Seal Pipe Option Type	
22SP = 4~20mA DC output	(Transmitter)	"	"
33SP = H/L point Alarm Output	(Switch)	"	"
44SP = H/L Alarm & 4~20mA Output	(Transmitter)	"	"

■ When placing an order, selected ordering number should be indicated on the purchase order sheet.

Printed by KOART. 2010.04 98-CG-005. Rev:4



SEOJIN INSTECH CO., LTD.

#91-18 Gunja-dong, Gwangjin-gu, Seoul, Korea
 Tel: 82-2-2204-8500 Fax: 82-2-466-6445
<http://www.seojin.biz>

■ Specifications subject to change without notice.

■ NEW VIBRATION TYPE LEVEL SWITCH

SVL - 15 A 1 A 1 A 1

DETECTION PARTS MATERIAL

- 1 = SUS 304
- 2 = SUS 316

CONDUIT CONNECTION

- A = PF 3/4" & PF 1/2" (STD)
- B = PT 3/4" & PT 1/2"
- C = PF 3/4" explosion type
- D = PT 3/4"
- OP = etc.

ENCLOSURE

- 1 = Weather Proof (STD)
- 2 = Explosion Proof (Exd IIC T6, IP65)

LENGTH EXTENSION

- A = 270mm (SVL-15 STD)
- B = Less than 500mm (SVL-25)
- C = Less than 1,000mm (SVL-25)
- D = Less than 2,000mm (SVL-25)
- E = Less than 3,000mm (SVL-25)
- F = Less than 4,000mm (SVL-25)
- OP = etc.

OPERATING TEMPERATURE

- 1 = -20 ~ +150°C (Max.)
- OP = -20 ~ +180°C (Max.)

MOUNTING SIZE

- A = PT 1" (STD)
- B = PT 1 1/2"
- C = PT 2"
- D = JIS 5K 50A FF Flange
- OP = etc.

PROBE TYPE

- 15 = Standard Type (270mm, STD)
- 25 = Probe Extension Type (330~4,000mm)
- 35 = Flexible Tube Extension Type (600~6,000mm)

■ Special Ass'y Model : High Sensitivity Version

■ When placing an order, selected ordering number should be indicated on the purchase order sheet.



317-18 Seongsu 2Ga, Seongdong-gu, Seoul, Korea
 Tel:(02)462-1512 Fax:(02)466-6445
<http://www.seojin.biz>

■ Specifications subject to change without notice.

■ RADIO FREQUENCY TYPE LEVEL SWITCH

SRF -	900	A	1	A	1	A	1
-------	-----	---	---	---	---	---	---

Material of Detection probe
 1 = 304SS
 2 = 316SS

CONDUIT CONNECTION
 A = PF 3/4" & PF 1/2" (Std.)
 B = PT 3/4" & PT 1/2"
 C = PF 3/4" Explosion proof type
 D = PT 3/4"
 OP = etc.

ENCLOSURE
 1 = Weather proof (Std.)
 2 = Explosion proof (Exd IIC T6, IP65)

PROBE LENGTH
 A = 381mm (Nipple Type Std.)
 B = 371mm (Flange Type Std.)
 C = 372 ~ 1000mm
 OP = etc.

MOUNTING SIZE
 1 = PT 1" (Std.)
 2 = PT 1 1/2" (Extension Type Only)
 3 = JIS 5K 65A FF Flange
 OP = etc.

OPERATING TEMPERATURE & MATERIALS
 A = 0 ~ +80℃ PPS (Std.)
 B = 0 ~ +240℃ PPS
 C = 0 ~ +500℃ Ceramic
 ※ PPS: Polyphenylen Sulfide

POWER SUPPLY
 600 = 16 ~ 30V DC (2-Wire Type)
 600SS = 16 ~ 30V DC (Head & Probe Separation Type)
 900 = 110/220V AC
 900SS = 110/220V AC (Head & Probe Separation Type)

■ When placing an order, selected ordering number should be indicated on the purchase order sheet.



■ CAPACITANCE TYPE LEVEL SWITCH

SCAP - 1 A 1 A 1 A 1 mm

EXTENSION LENGTH

CONDUIT CONNECTION

- 1 = PF 3/4" & PF 1/2"(Std.)
- 2 = PT 3/4" & PT 1/2"
- 3 = PF 3/4" Explosion proof type
- 4 = PT 3/4" Explosion proof type
- OP = etc.

ENCLOSURE

- A = Weather proof (Std.)
- B = Explosion proof (Ex d IIC T6, IP65)
- C = Probe separation type (Max. 5m)
(Application for vibrating&high temp. silo.hopper. bin)

MEASURING LENGTH

- 1 = 250mm (Std. length)
- 2 = 251~1000mm (SCAP-1 type)
- 3 = Per 500mm (SCAP-2 type)
- 4 = Per 500mm (SCAP-3 type)
- OP = etc.

MOUNTING SIZE

- A = PT 1"(Std.)
- B = JIS 5K 65A FF (Std.)
- OP = etc.

OPERATING TEMPERATURE

- 1 = -10 ~ + 80 °C
- 2 = -20 ~ + 230 °C

WET PART MATERIAL

- A = 304SS (Std.)
- B = 316SS (Only Rod)
- C = PTFE Tubing(Bar type only)
- D = Water Type

TYPE OF PROBE

- 1 = Rod(ø22 pipe), 250 ~ 1000mm
- 2 = Fixed wire(ø4 wire), 300 ~ 4,000mm
- 3 = Fixed wire(High tension type, ø9.5 wire), 300 ~ 4,000mm
- 4 = Various wire(ø4 wire), 300 ~ 5,000mm
- 5 = Flat(ø60), 63mm
- 6 = Overflow Detector, 23 ~100mm (-20 ~ +80°C, Nipple only)
- OP= etc.

■ When placing an order, selected ordering number should be indicated on the purchase order sheet.



■ CAPACITANCE TYPE LEVEL TRANSMITTER

SCAP -IV A 1 A 1 A 1

CONDUIT CONNECTION

- 1 = PF 3/4" & PF 1/2" (Std.)
- 2 = PT 3/4" & PT 1/2"
- OP = etc.

ENCLOSURE

- A = Weather Proof (Std.)
- B = Explosion Proof (Exd IIC T6, IP65)

MOUNTING SIZE

- 1 = PF1" (Std.)
- 2 = PT2"
- 3 = JIS 10K 80A FF Flange
- 4 = JIS 10K 100A FF Flange
- OP = etc.

OPERATING TEMPERATURE

- A = -10 ~ + 80 °C Nipple & Flange type (Std.)
- B = -20 ~ +120 °C

WET PARTS MATERIAL & MEASURING LENGTH

- 1 = 304SS Standard Length PFA Tubing (Per 1M)
- 2 = 304SS Rod Extension & PFA Tubing (Per 1M)
- 3 = 304SS Wire & Weight Ex.. + PFA Tubing (Per 1M)
- OP = etc.

MODEL SELECTION

- A = Rod type (Min. 1 ~ Max. 4M1M Std.)
- B = Wire & Weight type (Min. 1 ~ Max. 30M5M Std.)
- C = Wire & Tie down type (Min. 1 ~ Max. 30M5M Std.)

■ When placing an order, selected ordering number should be indicated on the purchase order sheet.



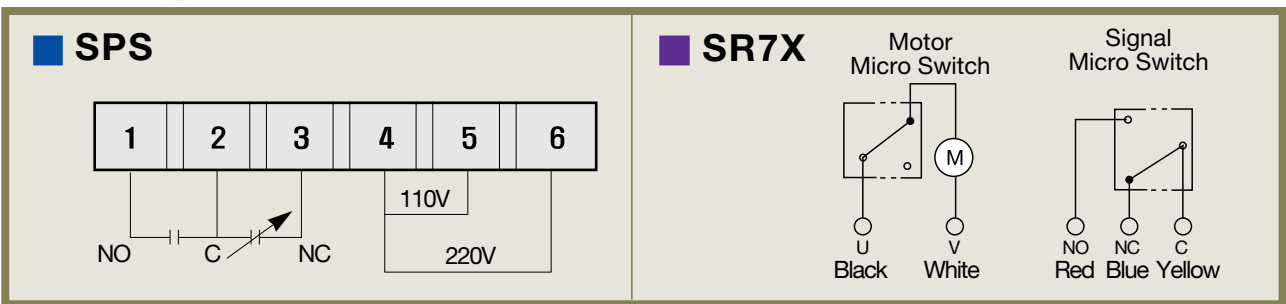
SEOJIN INSTECH CO., LTD.

#91-18 Gunja-dong, Gwangjin-gu, Seoul, Korea
 Tel: 82-2-2204-8500 Fax: 82-2-466-6445
<http://www.seojin.biz>

Overall Dimensions

SPS Type				SR7X Type	
D Type	S Type	H Type	F Type	Cross Type	D Type
			Only SPS 	Only SR7X 	

Configuration Diagram



Ordering Informations

■ PADDLE TYPE LEVEL SENSOR

SR7X - 1 A 1 A 1 A 1

TYPE OF PADDLE

- 1 = Cross Paddle (Std)
- 2 = Flat Paddle
- OP = etc.

MOUNTING SIZE

- A = PF 3/4" Thread (Std.)
- B = PF 1" Thread
- C = JIS 10K 80A 6t FF Flange
- D = JIS 10K 100A6t FF Flange
- OP = Per customer request

MEASURING PARTS LENGTH

- 1 = Cross Paddle Std. (69mm)/Flat Paddle(128mm)
- 2 = 70 ~ 200mm Spindle Extension only
- 3 = 150 ~ 500mm Pipe Extension Type (Std.)
- OP = Per customer request
- Sucharge for extension pipe per 500mm

OPERATING TEMPERATURE

- A = -10 ~ + 80℃ (Std.)
- B = -10 ~ +120℃ (Max.)

DETECTION PARTS MATERIAL

- 1 = 304SS (Std.)
- 2 = 316SS

TYPE OF SHAFT

- A = General Type (69mm Std.)
- B = Long Extension Type (150mm ~ 2300mm)
- C = Protection Guard Type (Only Flange Type)
- D = Slide Flange Type

INPUT VOLTAGE

- 1 = 110V AC
- 2 = 220V AC

■ PADDLE TYPE LEVEL SWITCH

SPS - 1 A 1 A 1 A 1

CONDUIT CONNECTION

- 1 = PF 3/4" (Std.)
- 2 = PT 3/4"
- 3 = PT 1/2"
- 4 = PF 1/2"
- OP = Per customer request

TYPE OF PADDLE (SUS 304)

- A = D type (Large Vane)(Std.)
- B = H type (Half Vane)
- C = S type (Single Vane)
- D = F type (Folder Vane)
- OP = Per customer request

MOUNTING SIZE

- 1 = PF 1" Brass Thread (Std.)
- 2 = PF 3/4" Brass Thread Type
- 3 = JIS 10K 80A 6t FF Flange
- 4 = JIS 10K 100A 6t FF Flange
- 5 = PF 1" 304SS Thread (Extention type)
- OP = etc.

MEASURING PART LENGTH

- A = H Paddle (74mm) / D Paddle (118mm) Std.
- B = 75 ~ 300mm Spindle Extension only
- C = 150 ~ 500mm Pipe Extension Type (Std.)
- OP = Per customer request
- Sucharge for extension pipe per 500mm

OPERATING TEMPERATURE

- 1 = -10 ~ +80 °C (Std.)
- 2 = -10 ~ +150 °C (Max.)

DETECTION PARTS MATERIAL

- A = 304SS (Std.)
- B = 316SS

TYPE OF SHAFT

- 1 = General type Spindle 65mm (Std.) & (Spindle Extension Type)
- 2 = Long Extension type 200 ~ 2,300mm & (Pipe Extension Type)
- 3 = Flexible Shaft type 173mm (Std.)
- 4 = Protection Guard type (Std.)
- 5 = Slide Moving Flange type (Std.)
- 6 = Easy Separation Head type (Std.)

■ When placing an order, selected ordering number should be indicated on the purchase order sheet.



SEOJIN INSTECH CO., LTD.

#91-18 Gunja-dong, Gwangjin-gu, Seoul, Korea
 Tel: 82-2-2204-8500 Fax: 82-2-466-6445
<http://www.seojin.biz>

■ PISTON TYPE LEVEL SWITCH

SC5 - X 1 A 1 A 1 A

INPUT POWER

A = 110V AC
B = 220V AC

CONDUIT CONNECTION

1 = PF 1/2"(Std.) 3 = PF 3/4"
2 = PT 1/2" 4 = PT 3/4"
OP= etc.

ENCLOSURE

A = Weather Proof (Std.)
B = Explosion Proof (Ex d IIB T4,IP 65)

MEASURING PARTS LENGTH

1 = 98 mm Flange type(Std.)
2 = 98 mm Socket type(Std.)
3 = 99 ~ 200mm (Extension type)
4 = 201~ 500mm (Extension type)

MOUNTING SIZE

A = PF 1" Socket type(Std.)
B = JIS 10K 50A 304SS FF Flange(Std.)
OP = etc.

OPERATING TEMPERATURE

1 = 0 ~ + 80 ℃ (Std.)
2 = 0 ~ +150 ℃ (Max.)

TYPE OF SENSING PARTS

X = Standard Socket type	D = Standard Shock Proof type
F = Standard Flange type	TA = Range Extension + Shock Proof type
G = Protection Guard type	E = Explosion Proof type
L = Range Extension type	EF = Explosion Proof + Flange type
S = Range Free Setting type (Slide Flange)	EG = Explosion Proof + Guard type
T = High Temp' type	

SB3 - X 1 A 1 A 1

INPUT POWER

1 = 110V AC
2 = 220V AC

CONDUIT CONNECTION

A = PF 1/2"(Std.) C = PF 3/4"
B = PT 1/2" D = PT 3/4"
OP = etc.

ENCLOSURE

1 = Weather Proof
2 = Explosion Proof (Ex d IIB T4,IP 65)

MOUNTING SIZE

A = JIS 10K 50A 304SS FF Flange (Std.)
OP = etc.

MEASURING PARTS LENGTH

1 = 98 mm Flange type (Std.)

TYPE OF SENSING PARTS

F = Standard Flange type
G = Protection Guard type

■ When placing an order, selected ordering number should be indicated on the purchase order sheet.



■ MAGNETOSTRICTIVE TYPE LEVEL TRANSMITTER

SMS 200 A 1 A 1 A 1

Power Supply Unit (Option)

- 1 = None
- 2 = SMS-4P(Wall mount)
- 3 = SMS-4PD(Panel mount)
- Option: Add. mA Output Board

CONDUIT CONNECTION

- A = PF 1/2" (Std.)
- B = PT 1/2"
- C = PF 3/4"
- D = PT 3/4"
- OP = etc.

ENCLOSURE

- 1 = Weather Proof (ADC-12)
- 2 = Explosion Proof (Ex d IIB T4, IP65)
- 3 = Intrinsic Safety

MEASURING RANGE

- A = 0 ~ 1M
- B = 0 ~ 2M
- C = 0 ~ 3M
- D = 0 ~ 4M(Max.)
- E = 0 ~ 5M(Option)

MOUNTING SIZE

- 1 = JIS 10K 50A FF Flange (Std.)
- 2 = JIS 10K 80A FF Flange (PVC, PTFE Std.)
- 3 = JIS 10K 100A FF Flange
- 4 = PT 2"
- OP = etc.

WET PARTS MATERIAL & MEASURING LENGTH

- S = 316SS (Std.)
- V = PVC
- T = PTFE

MODEL SELECTION

- 200 = Standard type
- 300 = Heat Resistive type
- 600 = Explosion proof type

- The mounting size should be specified when you order
- The measuring range should be specified when you order



■ AIR PURGE TYPE ASS'Y

SLA	100	A
-----	-----	---

MOUNTING SIZE

A = JIS 5K 100A (Std.)
B = JIS 10K 100A
C = etc.

BUBBLE TUBE TYPE

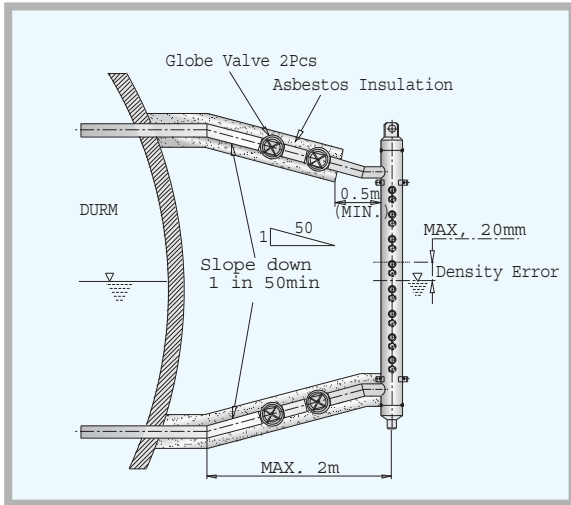
100 = PVC Flexible type. Length 4m (Std.)
110 = SUS 304 Stand pipe type. Length 10m

■ AIR SUPPLY UNIT & LOCAL INDICATOR ASS'Y

SLA-1000

■ When placing an order, selected ordering number should be indicated on the purchase order sheet.





Reduction of Density Error

(Preparation for installation of a water column)

The water column and the connecting pipes generally are well insulated, but the insulation is not sufficient to keep the water in the water column as hot as that inside the drum. Density of the cooler water in the water column is denser than that in the drum, and therefore the water level in the water column is lower than that inside the drum. This phenomenon, known as the Density Error, could induce as much as 150mm of measurement error in some cases. However, the error can be limited to about 20mm by deliberately exposing a part of the hot leg pipe close to the water column as illustrated in the figure. The steam inside the exposed portion of the pipe cools and condenses, releasing the latent heat of condensation to the water. This results in raising the temperature of water in the water column appreciably higher compared to the water without the exposed section, thereby reducing the density error. For this method to be effective the connecting pipes must be installed with proper inclinations and insulated as shown in the figure.

In cases where the height of the water column exceeds 1m, water column itself may have to be thermally insulated.

Ordering Informations

■ ELECTRODE TYPE DRUM LEVEL GAUGING SYSTEM (TRANSMITTER)

SDG-2000 A 1 A 3 A 5 A

REMOTE DISPLAY(SRD-64)

N = None
A ~ F = 1-6 Unit

ELECTRODE CABLE

5, 10, 20, 30m(Max.)

WATER COLUMN TYPE & MATERIAL

(Length:1400mm)

A = HPC-3056 (300Bar, 560℃) A106B
B = HPC-3056 (300Bar, 560℃) 316SS
C = LPC-2137 (210Bar, 370℃) A106B
D = LPC-2137 (210Bar, 370℃) 316SS

ELECTRODES QUANTITY

1 = General Quantity 8 Pcs
2 = General Quantity 12 Pcs
3 = General Quantity 16 Pcs
4 = General Quantity 32 Pcs

ELECTRODES TYPE

A = SHE-56 : High Temp. & High Pressure type (300Bar, 560℃. Ceramic)
B = SLE-26 : Low Temp. & Low Pressure type (50Bar, 260℃. PTFE)

RELAY OUTPUT BOARD

0 = None (Analog Output Only)
1 = 4 SPDT Relay Output
2 = 8 SPDT Relay Output

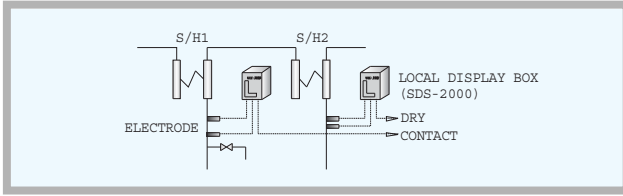
MODEL SELECTION

A = Electrodes 8/12/16 Pcs / Single Power System.
B = Electrodes 8/12/16 Pcs / Dual Safety Power System.
C = Electrodes 32 Pcs / Single Power System.

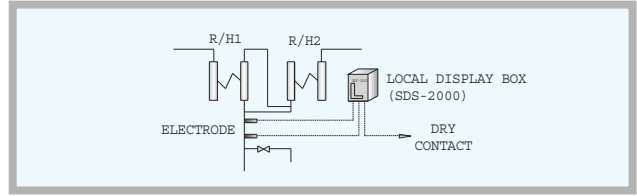
Application Examples

(Fossil Power and Combined-Cycle Power Plants)

▶ 1 SUPERHEATER, 2 DRAIN LINE(Steam / Water)



▶ 1 REHEATER, 2 DRAIN LINE(Steam / Water Detection)



Ordering Informations

■ ELECTRODE TYPE DRUM LEVEL SWITCHING SYSTEM

SDS-2000 A 1 1 H 1 A 5

ELECTRODE CABLE
5, 10, 20, 30m(Max.)

MOUNTING PARTS

A = Carbon Steel SA106
B = Stainless Steel SA312 TP304
C = Stainless Steel SA312 TP316
D = SA335 P11
E = SA335 P22
F = SA335 P91

MANIFOLD TYPE

1 = Side Arm(Vertical) type
2 = In Line(Horizontal) type

ELECTRODES CHAMBER TYPE

H = MANIFOLD SM - 3056 (300Bar, 560℃)
L = MANIFOLD SM - 1234 (120Bar, 340℃)
W = Direct Inset Welding Kits type SIW-3056 (300Bar, 560℃) 316SS
F = Direct Flange Mount type SDF-1234 (120Bar, 340℃) 316SS

ELECTRODES QUANTITY

1 ~ 4 PCS

ELECTRODES TYPE

1 = High Temp. & High Pressure type (300Bar, 560℃, Ceramic)
2 = Low Temp. & Low Pressure type (50Bar, 260℃, PTFE)

MODEL SELECTION

A = 1 ~ 3 Electrodes / Dual Safety Power System. (General type)
B = 3 or 4 Electrodes / Single Power System. (HH.H.L.LL Alarm Output)

■ When placing an order, selected ordering number should be indicated on the purchase order sheet.

Printed by KOART. 2010.04 20-CG-003. Rev:1



SEOJIN INSTECH CO., LTD.

#91-18 Gunja-dong, Gwangjin-gu, Seoul, Korea
Tel: 82-2-2204-8500 Fax: 82-2-466-6445
<http://www.seojin.biz>

■ Specifications subject to change without notice.